

**ENGINEERING DEPARTMENT  
Central Connecticut State University**

1615 Stanley Street

New Britain, Connecticut 06050

Tel: (860) 832-1815

Fax: (860) 832-1811

Web: <http://web.ccsu.edu/set/>

Name: \_\_\_\_\_

ID#: \_\_\_\_\_ E-mail: \_\_\_\_\_

Entry: Fall \_\_\_ Spring \_\_\_ Summer \_\_\_ Year \_\_\_\_\_ Transfer Credits \_\_\_\_\_

Advisor: \_\_\_\_\_

**General Education Study Areas:**

I. Arts and Humanities (9 credits)		Crs
Literature (200 level or higher)		3
PHIL or Fine Arts		3
Literature or PHIL or Fine Arts		3

**II. Social Sciences (6 credits)**

History		3
ECON or GEOG or HIST or POL. SCI. or ET 399		3

**III. Behavioral Sciences (3 credits)**

Anthropology or Psychology or Sociology		3
---	--	---

**IV. Natural Sciences (8 credits)**

PHYS 121-Gen Physics or PHYS 125-Univ Physics I		4
PHYS 122-Gen Physics or PHYS 126-Univ Physics II		4

**General Education Skill Areas:****I. Communication Skills (6 credits)**

ENG 110-Freshman Composition <sup>1</sup>		3
ENGR 290-Engr Tech Writing & Presentation		3

**II. Mathematics (6 or 8 credits)<sup>1</sup>**

MATH 135-Applied Engr. Calculus I or MATH 152-Calc I		3 or 4
MATH 136-Applied Engr. Calculus II or MATH 221-Calc II		3 or 4

**III. Foreign Language Proficiency (0-6 credits)<sup>2</sup>**


**IV. University Requirement (2-3 credits)<sup>3</sup>**

PE 144-Fitness/Wellness (or ENGR 150 for Transfers)		2 or 3
---	--	--------

**International Requirement (6 credits)<sup>4</sup>**

--	--	--

**Major Requirements**

	Crs	Sem.	
		F	S
ENGR 150 Introduction to Engineering	3	X	X
ET 251 Applied Mechanics I (Statics)	3	X	X
ET 252 Applied Mechanics II (Dynamics)	3	X	X
ET 354 Applied Fluid Mechanics	3	X	X
ET 357 Strength of Materials	3	X	X
ET 361 Engineering Technology Instrumentation	3	X	X
ET 399 Engineering Economy	3	X	X
ETM 260 Computer Aided Design & Integrated Manufacturing	3	X	X
ETM 340 Geometric Dimensioning and Tolerancing	3	X	X
ETM 356 Materials Analysis	3	X	X
ETM 358 Applied Thermodynamics	3	X	X
ETM 367 Machine Design	3	X	X
ETM 462 Manufacturing Process Planning and Estimating	3	X	X
ETM 464 CAD Solid Modeling and Design	3	X	X
ETM 466 Design for Manufacture	3	X	X
ETM 467 Applied Finite Element Analysis	3	X	X
ETM 497 Engineering Technology Senior Project Research	2	X	X
ETM 498 Engineering Technology Senior Project (Capstone)	2	X	X
<b>Directed technical electives</b> such as ET 495; ETM 360; ETM 423; ETM 454; ETM 460; ETM 461; ETM 463; ETM 468; MM 226; MM 236; MM 390; EMEC 334; ENGR 490; ROBO 420; TM 464	5 to 9	X	X

**Additional Requirements**

MM 121 Mechanical CAD	3	X	X
MM 216 Manufacturing Processes	3	X	X
CET 236 Circuit Analysis	3	X	X
CHEM 161 General Chemistry	3	X	X
CHEM 162 General Chemistry - LAB	1	X	X
ROBO 330 Fluid Power Systems	3	X	X
ENGR 240 Computational Methods for Engineering (or CS 213)	3	X	X
MATH 119 <sup>5</sup> Pre-Calculus with Trigonometry	4	X	X
STAT 104 Elementary Statistics	3	X	X
Free Elective (to complete 130 credits minimum degree requirement)	3	X	X

**TOTAL CREDITS 130**

Minimum grade of C- required in all courses in the major, all additional requirements, and all courses in Study Area IV, Skill Area I, and Skill Area II.

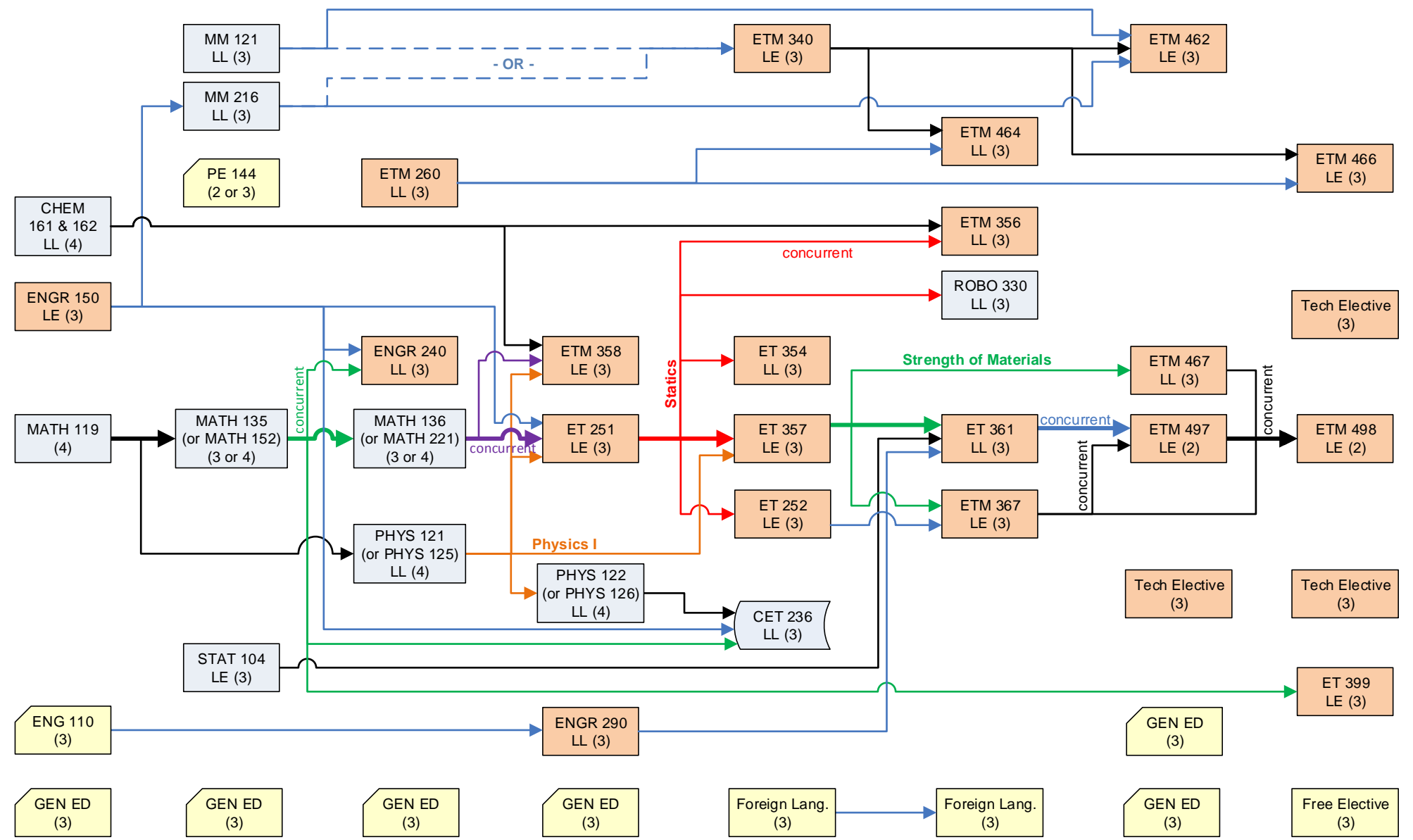
<sup>1</sup> Placement examination may be required before enrolling in English and Mathematics courses. Contact CCSU's Learning Center.<sup>2</sup> Refer to the University Catalog, Undergraduate General Education Program, for Foreign Language proficiency requirements.<sup>3</sup> For transfers, other Skill Area IV courses can be used: COMM 115, COMM 140, CET 113, CS 113, CS 115, CS 151, MATH 115, RDG 140, STAT 200.<sup>4</sup> General Education courses with designator [I] in course description can be double-counted to fulfill the International Requirement.<sup>5</sup> MATH 116 (3cr PreCalc) is acceptable but then Calc I will also require MATH 115 as a prereq. MATH 115 credits do not apply towards the degree.

Refer to the University Catalog for additional information.

# CCSU – Mechanical Engineering Technology Program Flowchart

Effective Fall 2016

Fall Year 1 Spring      Fall Year 2 Spring      Fall Year 3 Spring      Fall Year 4 Spring



**Bold lines represent the critical path, dashed lines represents choice of prerequisites (either is OK).  
The word "concurrent" indicates that two courses may be taken in the same semester.**