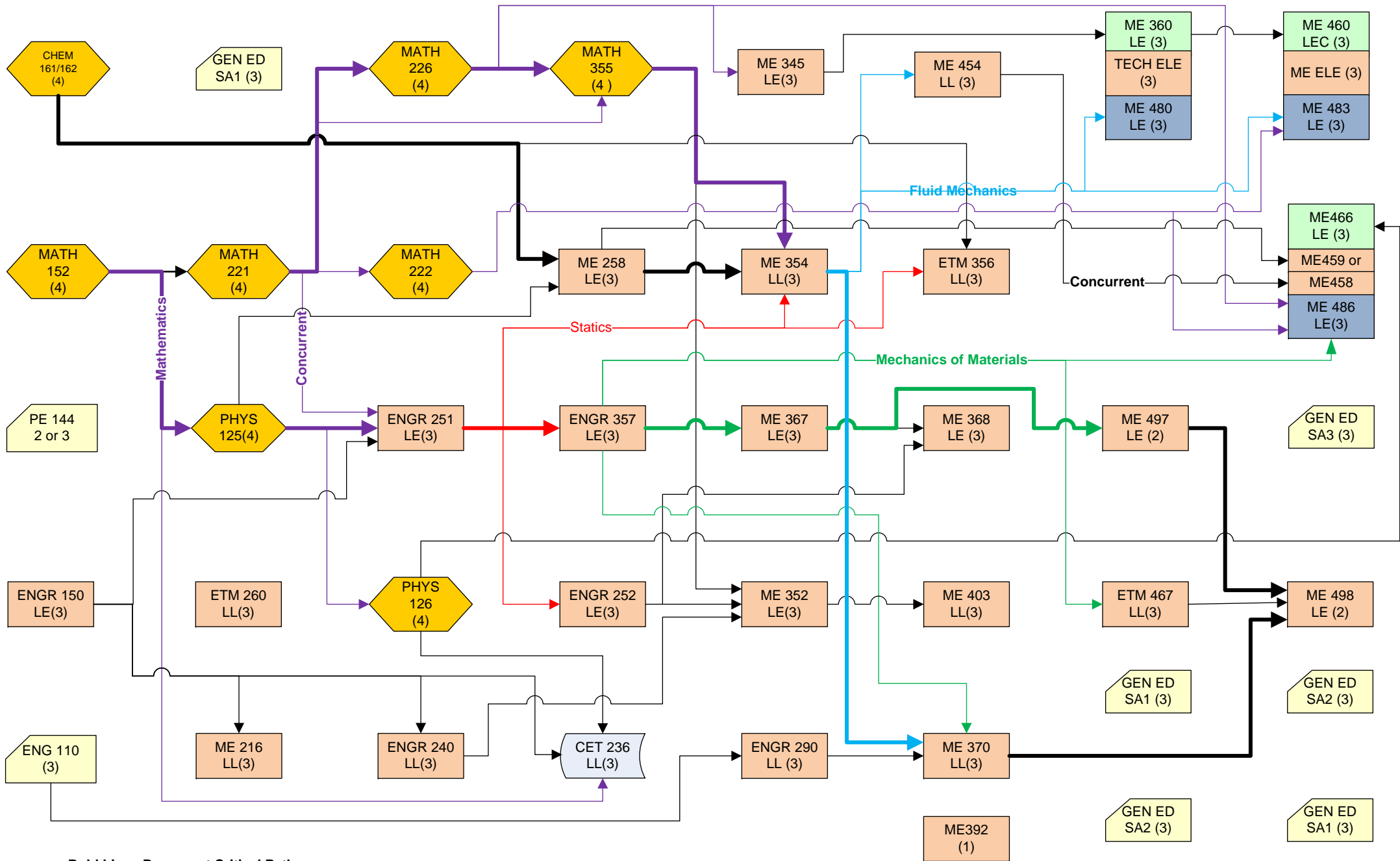


CCSU-Department of Engineering		Name: _____ # _____		Advisor: _____			
Tel: (860) 832-1815; Fax: (860) 832-1811		Entry	Fall <input type="checkbox"/>	Spring <input type="checkbox"/>	Year 20 __ __	Transfer Credit	Effective
Web: <a href="http://www.ccsu.edu/page.cfm?p=6656">http://www.ccsu.edu/page.cfm?p=6656</a>		Major	Mechanical Engineering				
Degree: Bachelor of Science		Minor:	Mathematics (non-teaching)			Updated	June 30 13
<b>General Education</b>		<b>Major Requirements</b>					<b>Sem.</b>
<b>STUDY AREAS:</b>		<b>Crđ</b>	<b>Course #</b>	<b>Course Name</b>	<b>Crđ</b>	<b>F</b>	<b>S</b>
<b>I Arts &amp; Humanities (9 credits)</b>			ENGR 150	Introduction to Engineering	3	X	
Literature	3	ENGR 251	Engineering Mechanics I- Statics	3	X		
PHIL or Fine Arts	3	ENGR 252	Engineering Mechanics II - Dynamics	3		X	
Literature or PHIL or Fine Arts	3	ENGR 357	Mechanics of Materials	3		X	
<b>II Social Sciences (6 credits)</b>			ME 216	Manufacturing Engineering Processes	3		X
History	3	ME 258	Engineering Thermodynamics	3		X	
ECON or GEOG or HIST or POL. SCI. or ET 399	3	ME 345	Engineering Statistical Analysis of Operations	3	X		
<b>III Behavioral Sciences (3 credits)</b>			ME 352	Modeling of Dynamic Systems	3	X	
Anthropology or Psychology or Sociology	3	ME 354	Fluid Mechanics	3	X		
<b>IV Natural Sciences (8 credits)</b>			ME 367	Machine Design I	3	X	
PHYS 125-Univ Physics I	4	ME 368	Machine Design II	3		X	
PHYS 126-Univ Physics II	4	ME 370	Instrumentation	3		X	
<b>SKILL AREAS:</b>			ME 403	Control of Dynamic Systems	3		X
<b>I Communication Skills (6 credits)</b>			ME 454	Heat Transfer	3		X
ENG 110-Freshman Composition*	3	ME 497	Senior Project I: Project Research	2	X		
ENGR 290-Engineering Technical Writing & Presentation	3	ME 498	Senior Project II: Project Design	2		X	
<b>II Mathematics * (8 credits)</b>		<b>Concentration Areas</b>					
MATH 152-Calculus I	4	<b>General Concentration</b>					
MATH 221- Calculus II	4	†	ME Elective 1	3		X	
<b>III a. Foreign Language (0-6 credits)**</b>		††	ME Elective 2	3	X		
		†††	Technical Elective	3		X	
<b>III b. International (6 credits)***</b>		<b>Aerospace Concentration</b>					
		ME 480	Propulsion Systems	3	X		
		ME 483	Aerodynamics	3		X	
		ME 486	Aerospace Structures and Materials	3		X	
<b>IV University Requirements (2-3 credits)****</b>		<b>Manufacturing Concentration</b>					
PE 144-Fitness/Wellness	2 or 3	ME 360	Manufg. Operations Analysis and Simulation	3	X		
* Placement examination may be required before enrolling in English and Mathematics.		ME 460	Manufacturing System Design	3		X	
**Refer to University Catalog, Academic Programs for Foreign Language proficiency requirements. <a href="http://www.ccsu.edu/page.cfm?p=10617">http://www.ccsu.edu/page.cfm?p=10617</a>		ME 466	Inventive Engineering Design	3		X	
*** Courses with the letter [I] have been designated as fulfilling the international component of the general education requirements. <a href="http://www.ccsu.edu/page.cfm?p=10626">http://www.ccsu.edu/page.cfm?p=10626</a>		<b>Additional Requirements</b>					
† ME 458 or ME 459		CET 236	Circuit Analysis	3		X	
†† ME 360 or ME 452 or ME 460 or ME 466 or ME 470 or ME 480 or ME 483 or ME 486 or ME 485 or ME 487, ME 488.		CHEM161/62	General Chemistry I	4	X		
††† ME 360 or ME 452 or ME 460 or ME 466 or ME 470 or ME 480 or ME 483 or ME 486 or ME 485 or ME 487 or ET 399 or ET 495 or MFG 226 or TM 464 or ROBO 480.		ENGR 240	Spreadsh. & Engr.Prob.SolvingTools	3	X		
		ETM 260	Comp. Aided Design & Integrated Manuf.	3		X	
		ETM 356	Materials Analysis	3		X	
		ETM 467	Applied Finite Element Analysis	3	X		
		MATH 222	Calculus III	4	X		
		MATH 226	Linear Algebra and Probability for Engineers	4	X		
		MATH 355	Introduction to Differential Equations	4		X	
		ME 392	400 hrs Field Practicum	1		X	
<b>Total Number of Credits</b>					<b>127</b>		

# CCSU – Department of Engineering – Mechanical Engineering Program Flowchart

Effective Fall 2013

I Freshman II III Sophomore IV V Junior VI VII Senior VIII



Bold Lines Represent Critical Paths